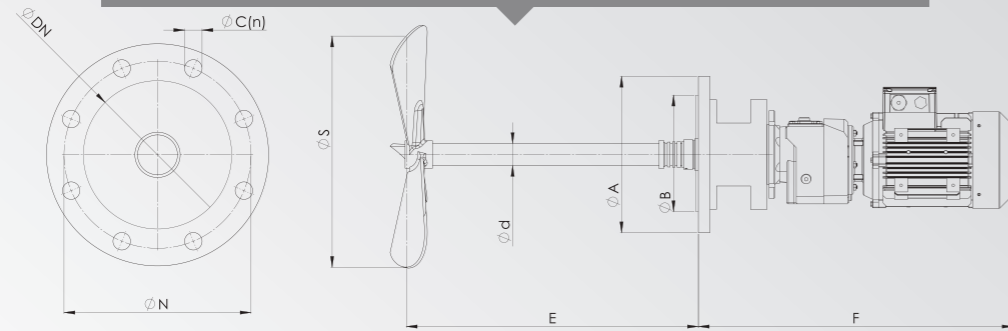
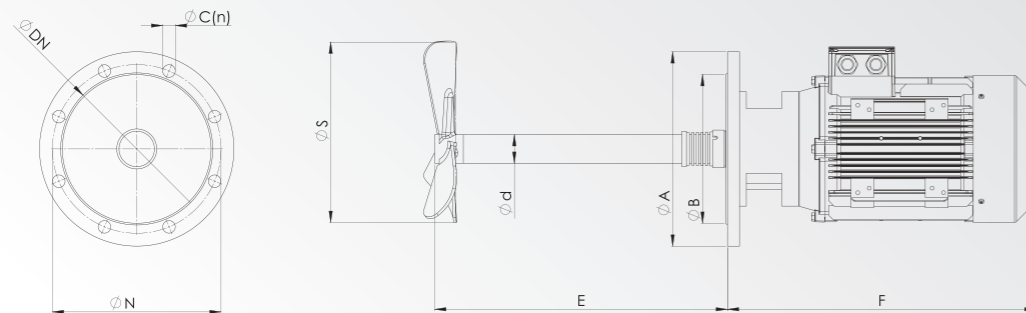


FSEA - BOTTOM SIDE ENTRY AGITATOR

DIMENSIONS



FSEA.R



FSEA.D

DIMENSIONS

TYPE	Ø DN	ØA	ØN	ØB	ØC(n)	Ød	E	Fmax	S
FSEA.D.15.15.175	150	285	240	212	22 8	40	400	375	175
FSEA.D.15.30.225	150	285	240	212	22 8	40	500	405	225
FSEA.D.15.40.225	200	340	295	259	22 8	50	500	500	225
FSEA.D.15.55.225	200	340	295	259	22 8	50	500	500	225
FSEA.D.15.75.250	200	340	295	259	22 8	50	500	500	250
FSEA.D.15.11.275	250	395	350	312	23 12	60	600	695	275

CAPACITY

Volume (m³)	Power (kw)	Speed (rpm)
5-20	1,5	1500
20-50	3	1500
50-80	4	1500
80-140	5,5	1500
80-140	7,5	1500
140-200	11	1500

FSEA.D.10.01.225	150	285	240	212	18 8	40	400	375	225
FSEA.D.10.22.225	150	285	240	212	18 8	40	400	425	225
FSEA.D.10.30.250	200	340	295	259	23 8	50	500	500	250
FSEA.D.10.40.275	200	340	295	259	23 8	50	500	500	275
FSEA.D.10.55.300	250	395	350	312	23 12	60	600	695	300
FSEA.D.10.75.300	250	395	350	312	23 12	60	600	695	300

5-20	1,1	1000
20-60	2,2	1000
20-60	3	1000
60-90	4	1000
90-150	5,5	1000
150-200	7,5	1000

FSEA.R.02.05.325	150	285	240	212	22 8	40	400	468	325
FSEA.R.02.07.400	150	285	240	212	22 8	40	400	468	400
FSEA.R.02.15.500	150	285	240	212	22 8	40	400	510	500
FSEA.R.02.30.500	200	340	295	259	22 8	50	500	570	500
FSEA.R.02.40.600	250	395	350	312	23 12	60	500	710	500

5-20	0,55	200
20-50	0,75	200
50-100	1,5	200
100-150	3	200
150-200	4	200



www.flussmann.com



BOTTOM SIDE
ENTRY AGITATOR
FSEA



YOUR SOLUTION PARTNER

www.flussmann.com

FLUSSMANN FSEA BOTTOM SIDE AGIGATOR

APPLICATION

- » Side entry agitators with direct coupled motor or geared motors and cast iron bearing house, propeller and single mechanical seal.
- » Suitable for mixing low viscosity in many chemical and food & pharma applications like wine, oil, milk, beer, alcohol in large volume tanks

DESIGN AND FEATURES

- » Internal Mechanical seal
- » Different type propeller
- » Sanitary design
- » Easy maintenance
- » Easy assembly of propeller fixed to shaft with threaded connection
- » 3 phase motor 230/400 V, 50 Hz, IP 55
- » Motor speed 1500, 1000 rpm
- » Motor gear speed 200, 300, 400 rpm

WORKING PRINCIPLE

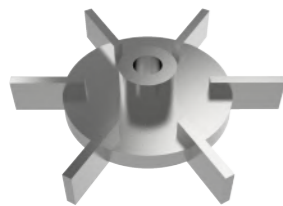
- » Side Entry agitators are installed inclined position
- » Propeller creates a flow that pushes the bottom of the tank
- » Flow raises up to surface throughout the wall opposite of agitator
- » The effect is encouraged if the bottom is curved
- » The agitator is distributed centrally to increase the circular flow
- » This ensures complete homogenization of the product

MATERIALS

- » Parts in contact with product : A.316L
- » Lantern and bearing support : GG22
- » Mechanical seal : Sic/ Sic/EPDM
- » Gaskets : EPDM

Options

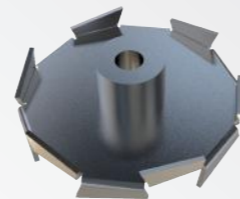
- » Double Mec. Seal
- » Gaskets: FKM
- » Different Propeller type
- » Stainless steel Motor cover
- » ATEX motor



Radial Flow Turbine



Inclined Blade



Saw Tooth



High Flow



Lineflux

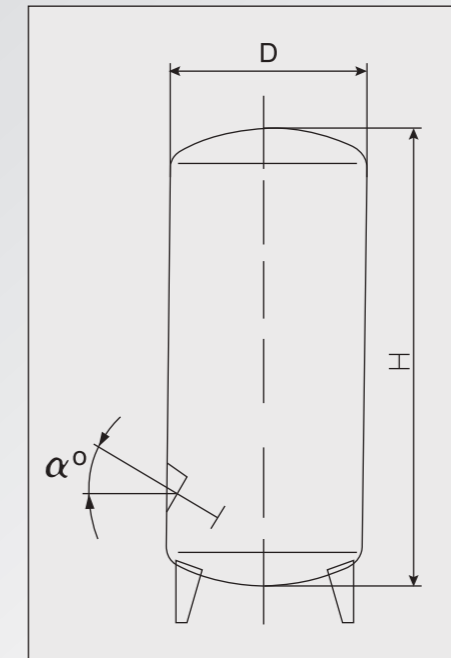
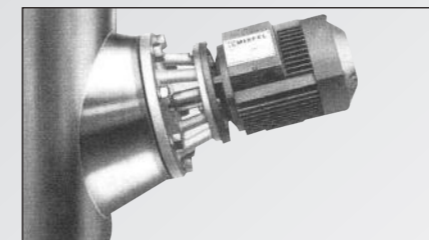
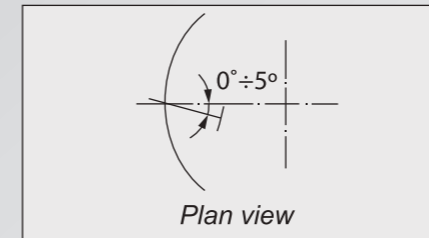


Marine

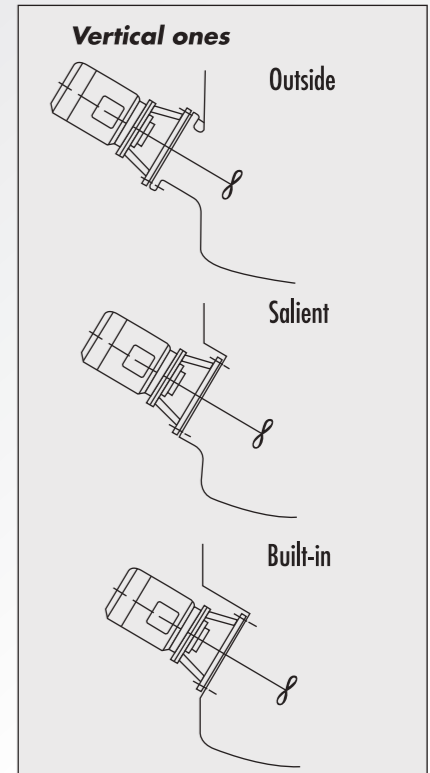


ASSEMBLY DIAGRAMS

VERTICAL TANKS (position angles)



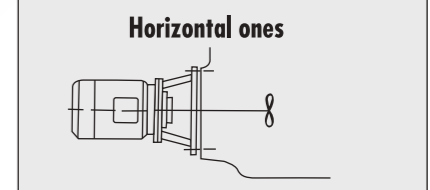
LOCATION OF THE SUPPORTS



ANGLES OF ATTACK

H/D Ratio	0,5	1	1,5	2	2,5	3	4	5
α°	0°	8°	14°	18°	25°	30°	40°	50°
Max. visc. cps.	3000	3000	1500	1500	500	300	150	100
BOTTOMS		•	•	•	•			
		•	•	•	•	•	•	•
		•	•	•	•	•	•	•

• Recommended



HORIZONTAL TANKS (location of agitators)

